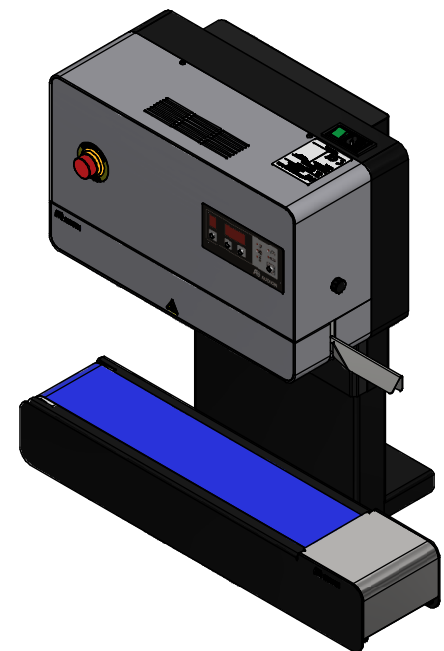
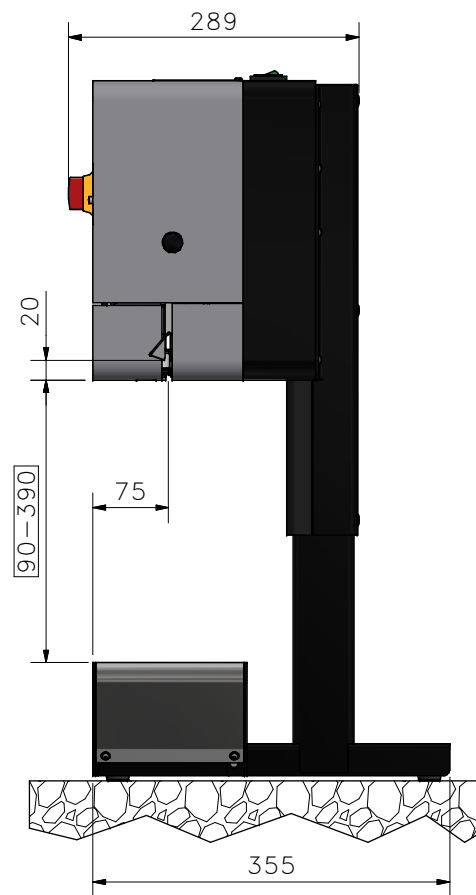
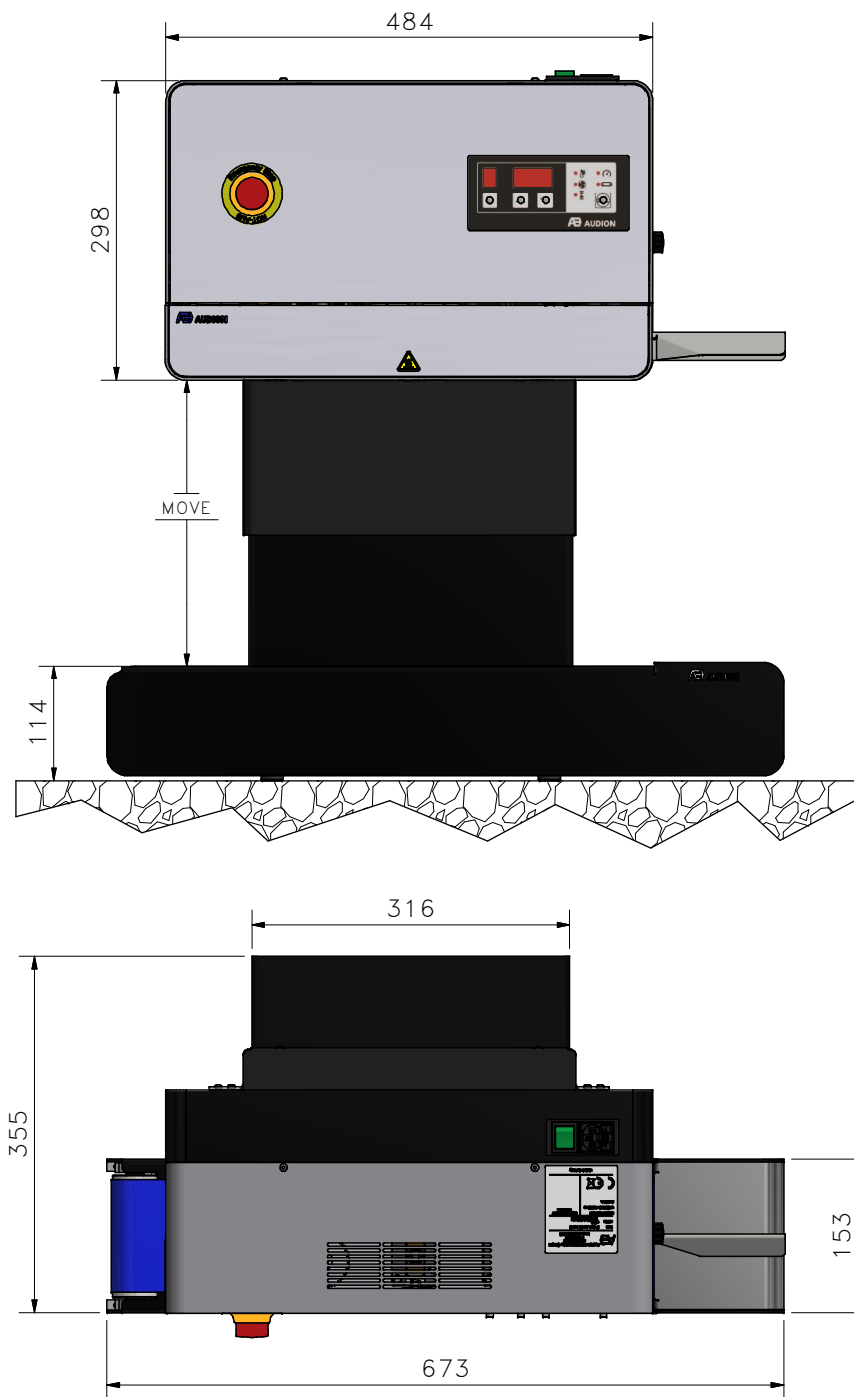


remarks:	date: 27-1-2021	scale: 1 : 4	weight: N/A	revision:	drawn by:	date:
page: 1#1	sheet: A3	check:	tolerance: ISO 2768/1101			
projection: 	drawn by: JJ	material:				
drawing name: <b>AUDION D 545 AH-2</b>				drawing number: D545 AH DIMENSION DRAWING		

This publication, or parts thereof, may not be reproduced in any form, by any method, for any purpose.



remarks:	date: 28-1-2021	scale: 1 : 5	weight: N/A	revision: drawn by: date:
page: 1#1	sheet: A3	check:	tolerance: ISO 2768/1101	
projection: 	drawn by: JJ	material:		
drawing name: <b>AUDION D 545 VERTICAL CONT. SEALER</b>			drawing number: D545 AV DIMENSION DRAWING	

This publication, or parts thereof, may not be reproduced in any form, by any method, for any purpose.