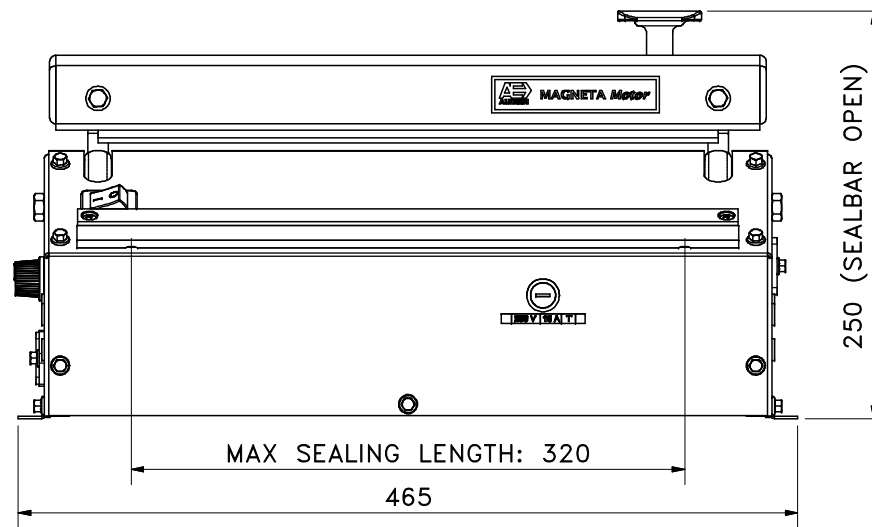
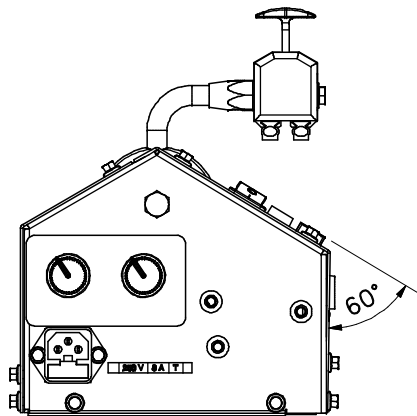
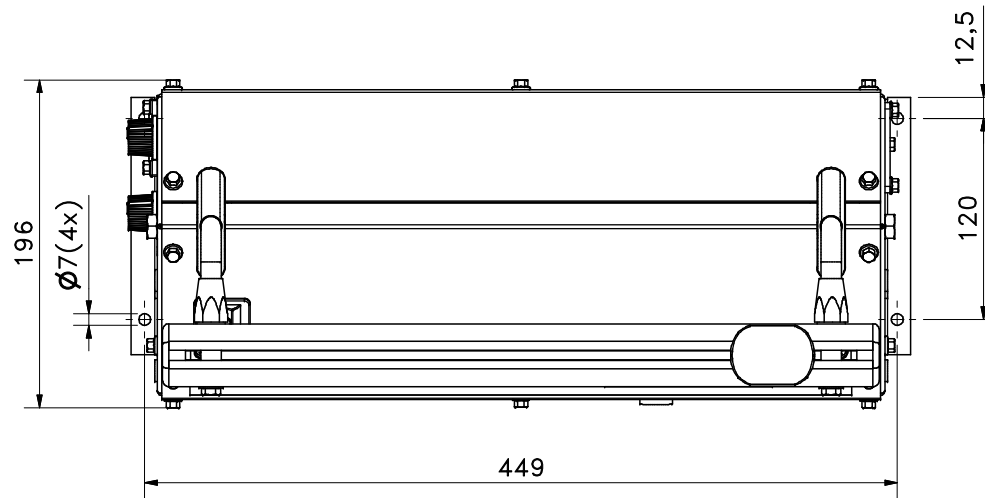
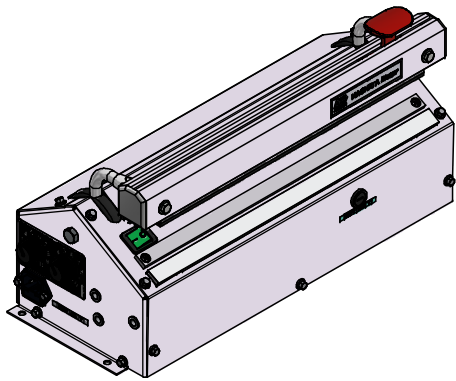


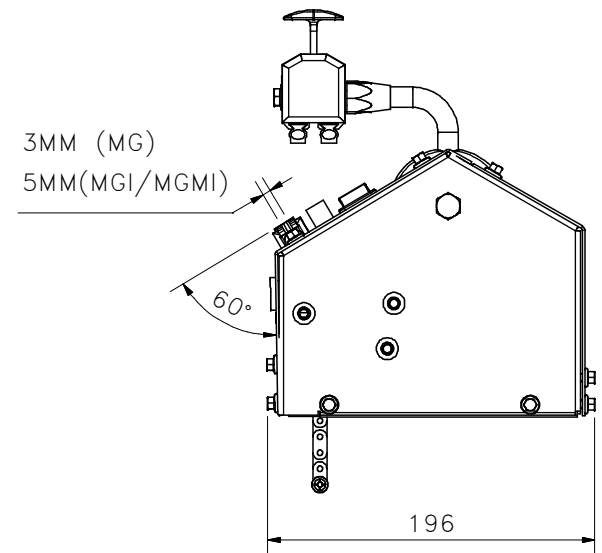
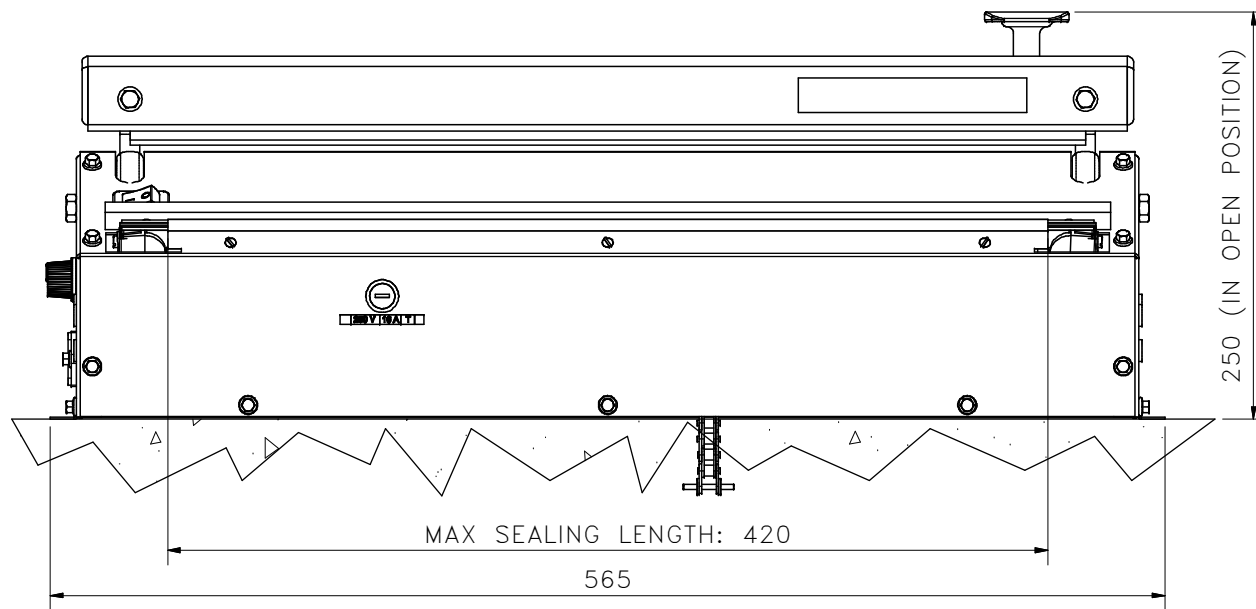
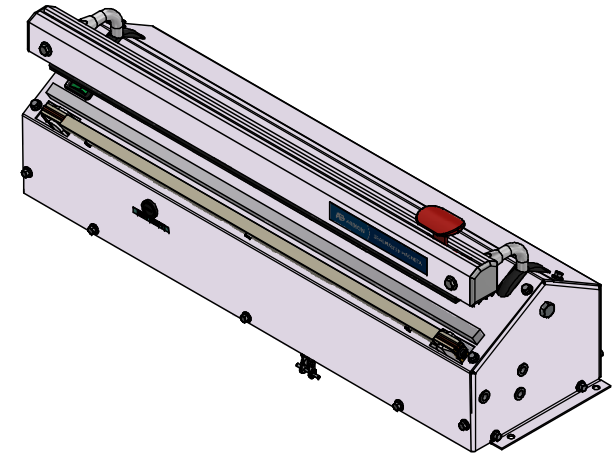
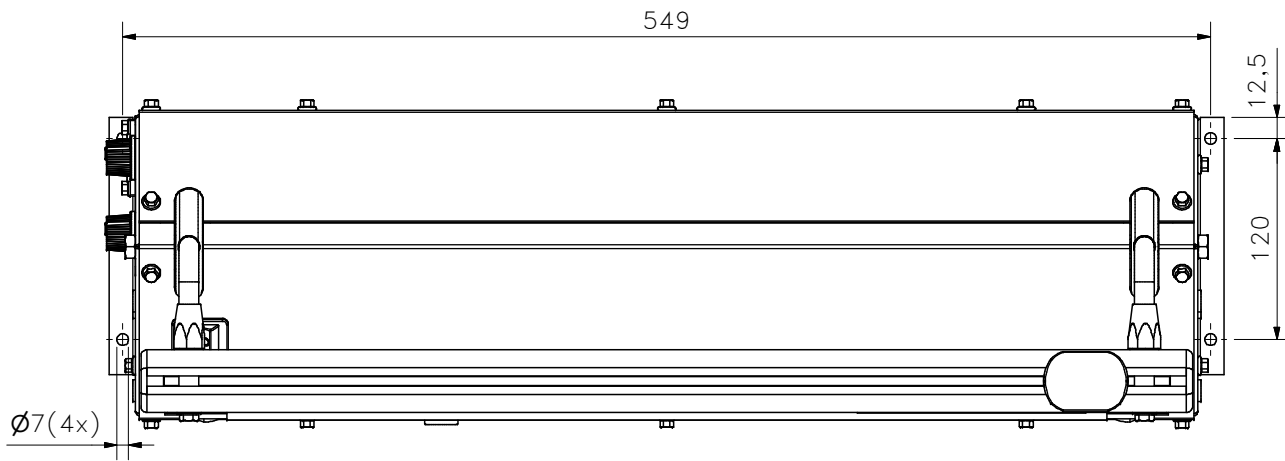
opm:	datum: 7-10-2015	schaaf:	aantal: 1	gewicht: 12 kg	revisie:	getekend:	datum:
projectie:	formaat: A3	controle:	tolerantie: DIN EN ISO 2768/1101		▲		
	getekend: EB	materiaal:			▲		
AUDION ELEKTRO WEESP, HOLLAND	MEASUREMENTS 321 MG				code: 321 MG		

This publication, or parts thereof, may not be reproduced in any form, by any method, for any purpose.



opm:	datum: 7-10-2015	schaal: 1:2,5	aantal: 1	gewicht: 12 kg	revisie:	getekend:	datum:
projectie:	formaat: A3	controle:	tolerantie: DIN EN ISO 2768/1101		▲		
	getekend: EB	naam: MEASUREMENTS 321 MGM	materiaal:		▲		
AUDION ELEKTRO WEESP, HOLLAND							code: 364-10001M

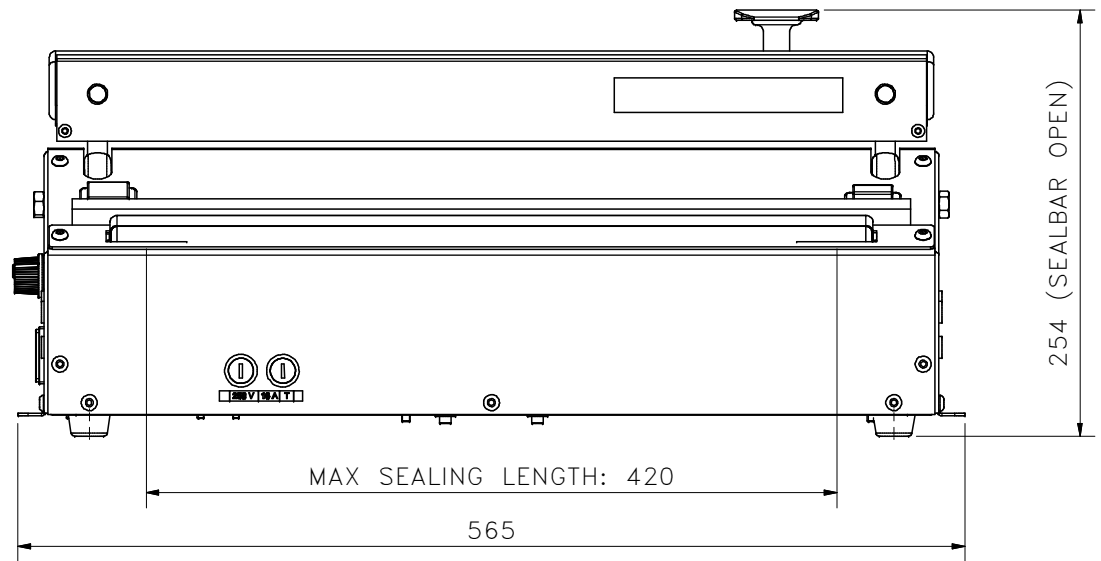
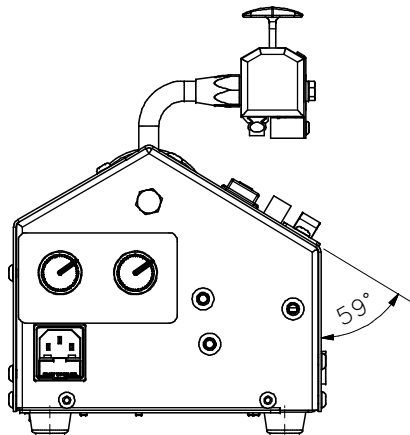
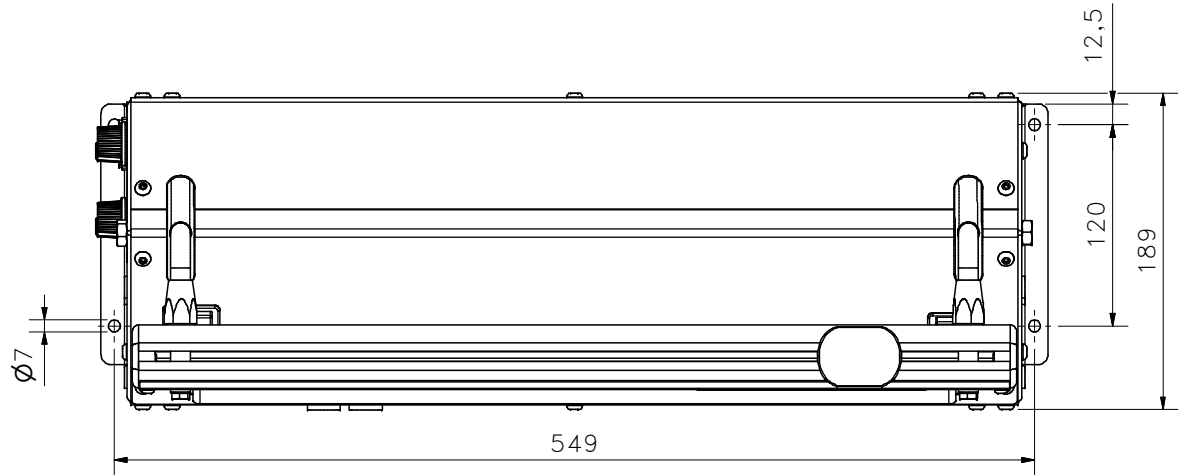
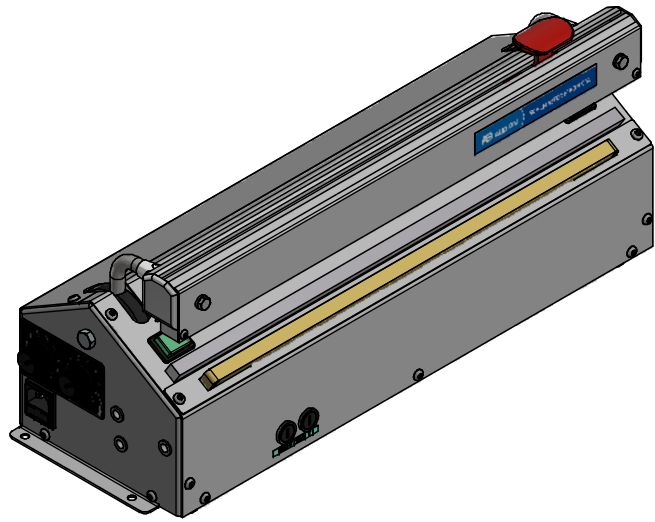
This publication, or parts thereof, may not be reproduced in any form, by any method, for any purpose.



421 MG
 421 MGM
 421 MGS 421 MGI
 421 MGMT 421 MGMI

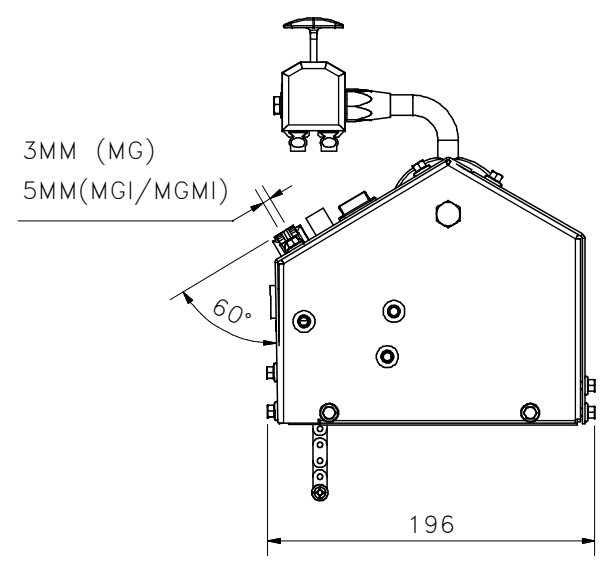
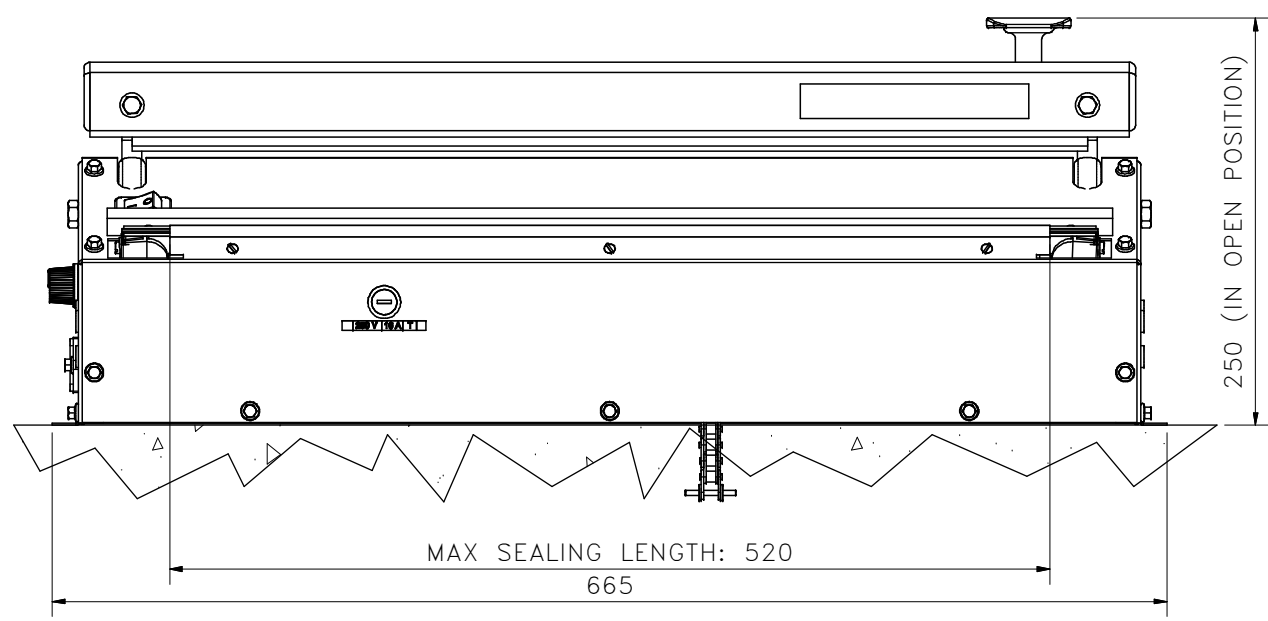
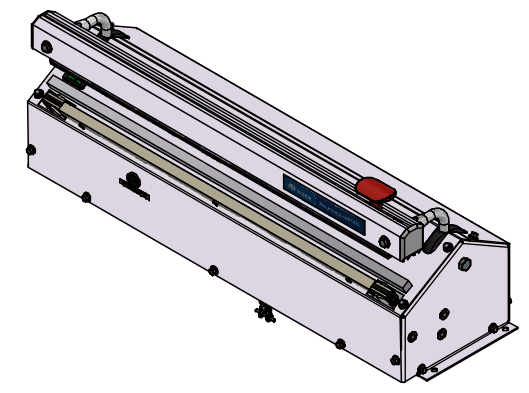
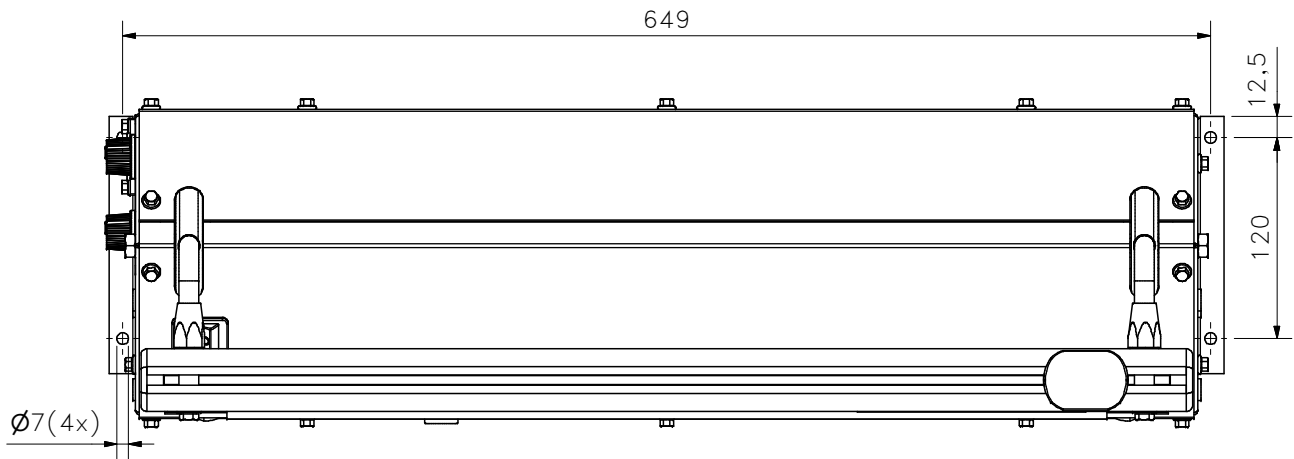
remarks:	date: 2-2-2022	scale: 1:3	weight: N/A	revision:	drawn by:	date:
page: 1#1	sheet: A3	check:	tolerance: ISO 2768/1101			
projection: 	drawn by: JOH	material:				
	drawing name: AUDION MEASUREMENTS 421 MG(S)(M)(MT)(I)(MI)				drawing number: 421 MG(M)(I) Maatschets	

This publication, or parts thereof, may not be reproduced in any form, by any method, for any purpose.



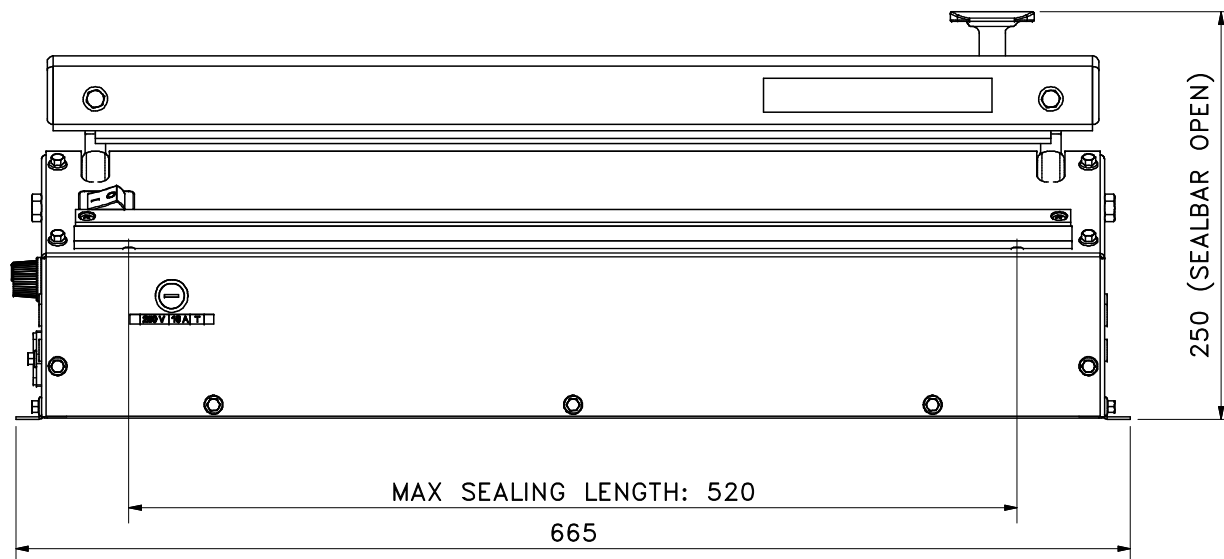
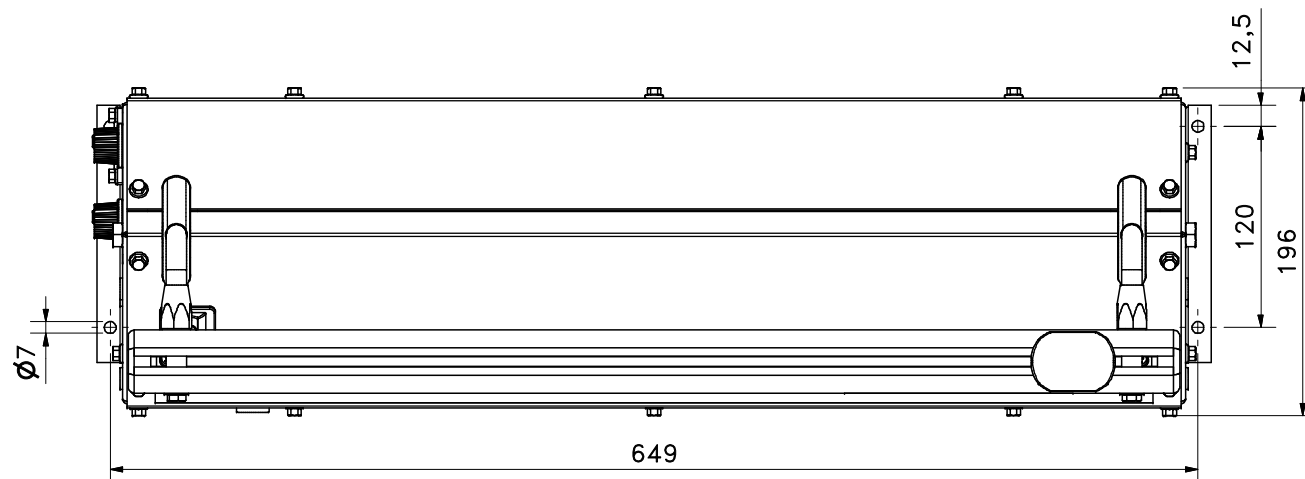
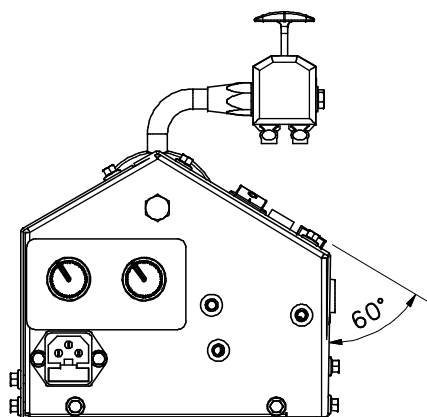
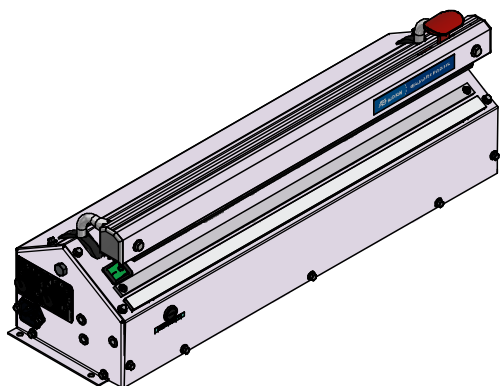
remarks:	date: 3-11-2022	scale: 1 : 3	weight: N/A	revision:	drawn by:	date:
page: 1#1	sheet: A3	check:	tolerance: ISO 2768/1101			
projection: 	drawn by: C.Stoffers	material:				
	drawing name: AUDION MEASUREMENTS 421 MG(M)ISDS				drawing number: 370-00001X	

This publication, or parts thereof, may not be reproduced in any form, by any method, for any purpose.



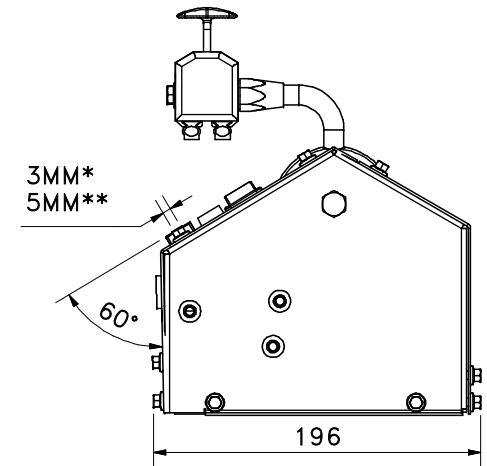
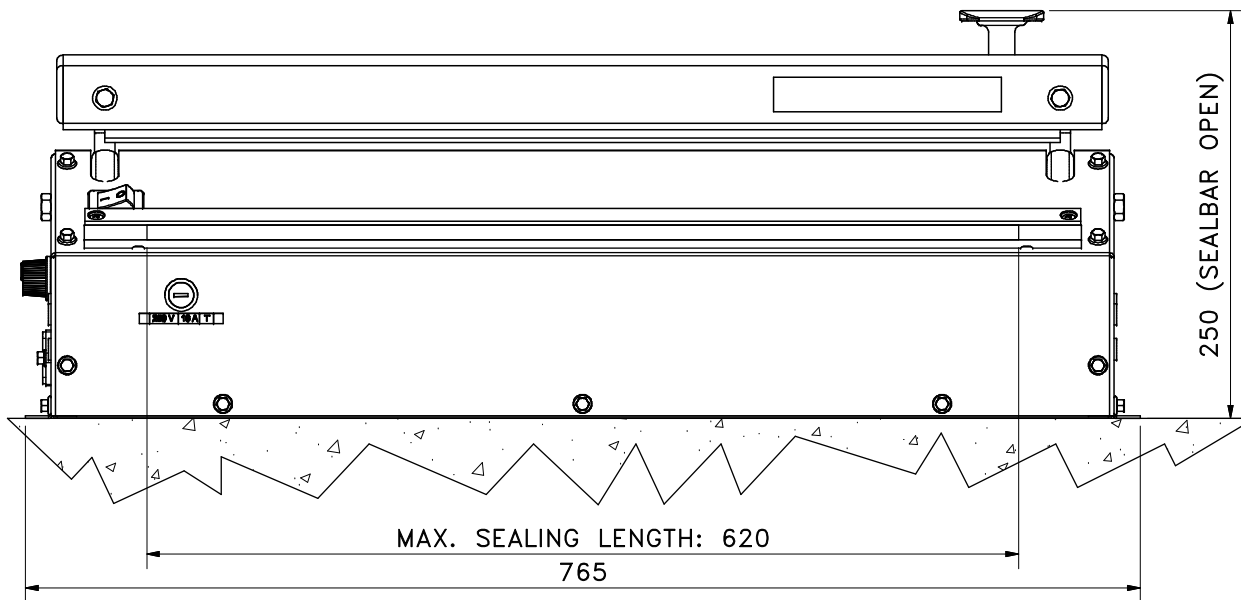
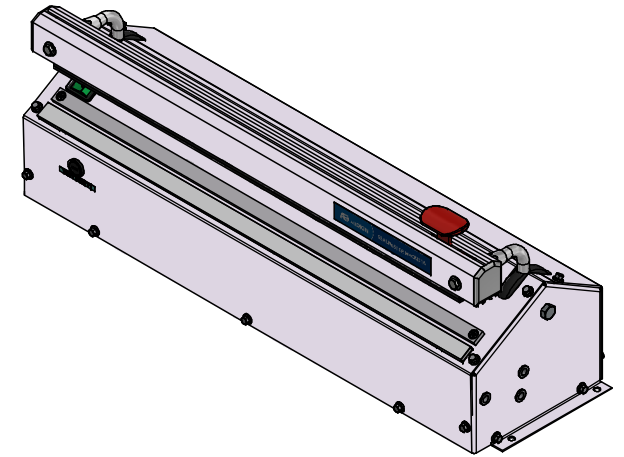
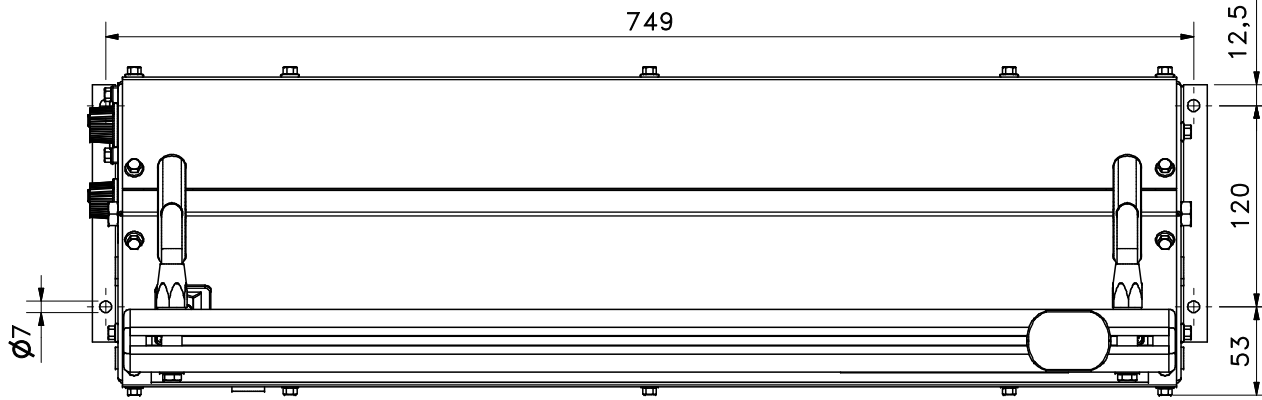
remarks:	date: 2-2-2022	scale: 1:3	weight: N/A	revision: drawn by: date:
page: 1#1	sheet: A3	check:	tolerance: ISO 2768/1101	
projection:	drawn by: JOH	material:		
	drawing name: MEASUREMENTS 521 MGI/MGMI			drawing number: 521 MG(M) Maatschets

This publication, or parts thereof, may not be reproduced in any form, by any method, for any purpose.



opm:	datum: 28-1-2016	schaal: 1 : 3	aantal: 1	gewicht: N/A	revisie:	getekend:	datum:
projectie:	formaat: A3	controle:	tolerantie: ISO 2768/1101		▲		
	getekend: CS		materiaal:		▲		
AUDION ELEKTRO WEESP, HOLLAND	MEASUREMENTS 521 MG(M)				code: 521 MG(M) Maatschets		

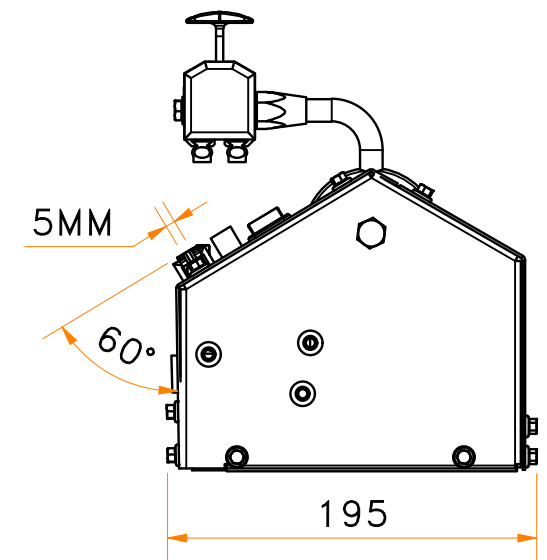
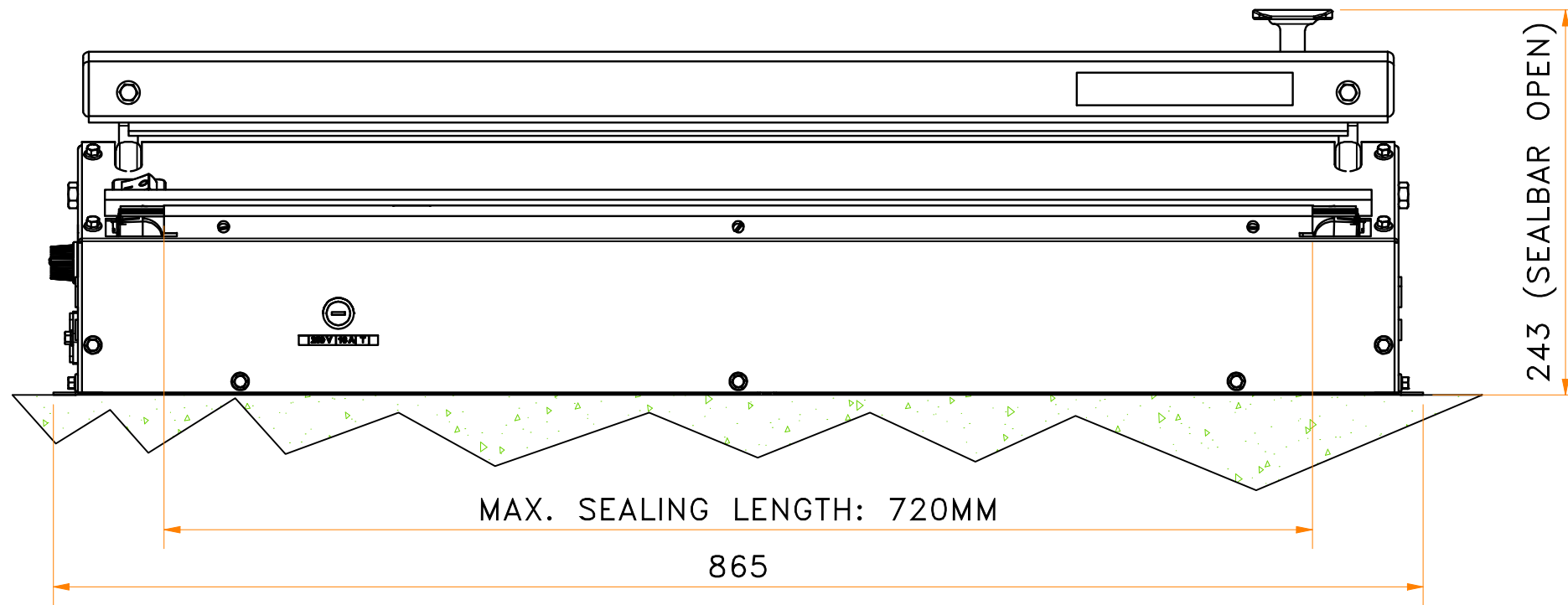
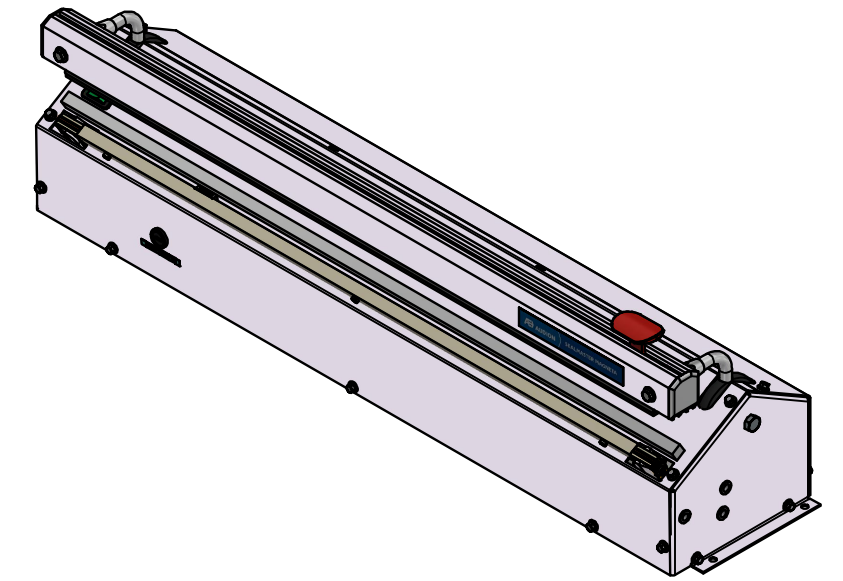
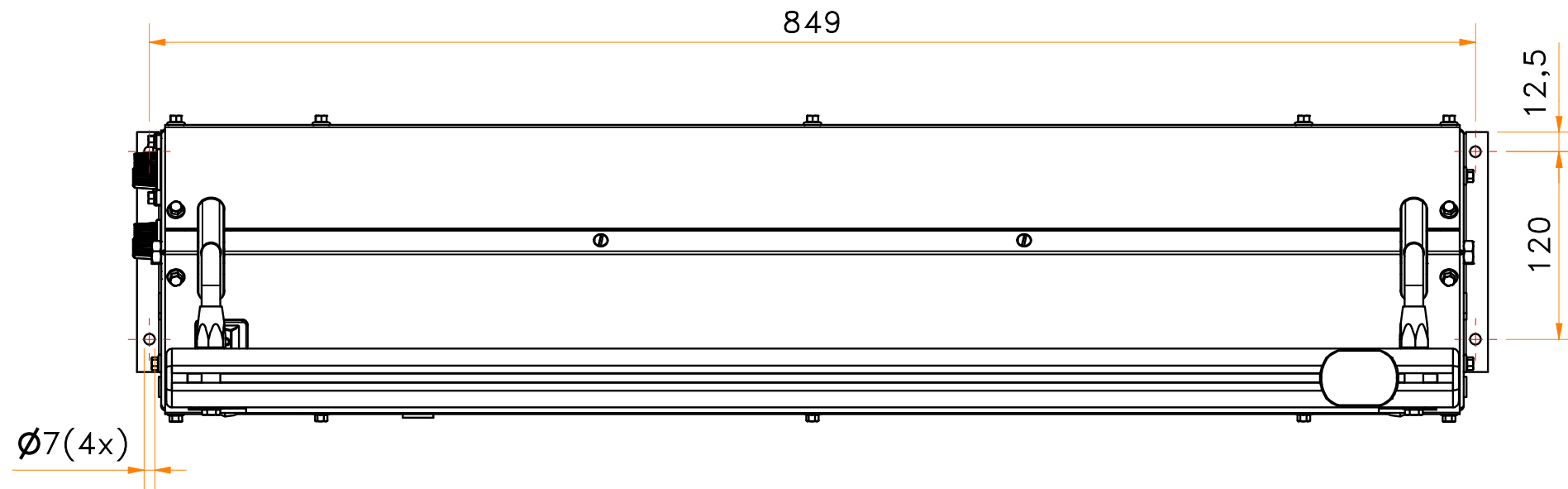
This publication, or parts thereof, may not be reproduced in any form, by any method, for any purpose.



- * MG(M)(S)/MG(M)T
- ** MG(M)I/MGMIT/MGMI(S)DS

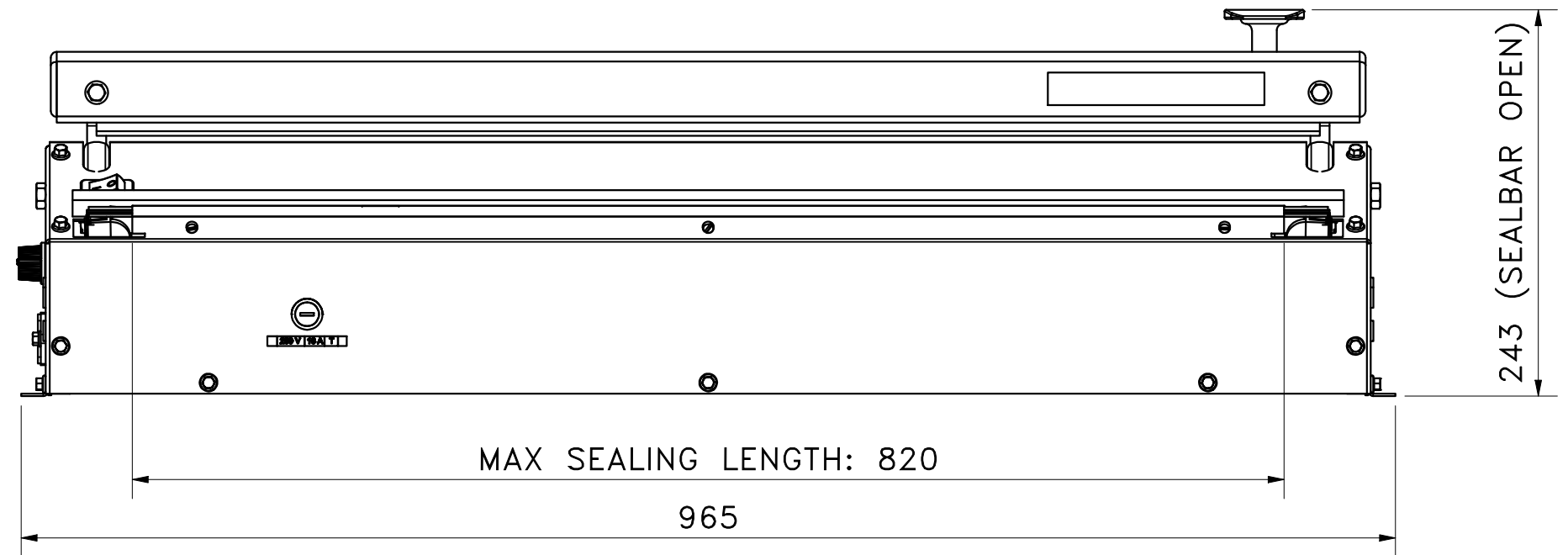
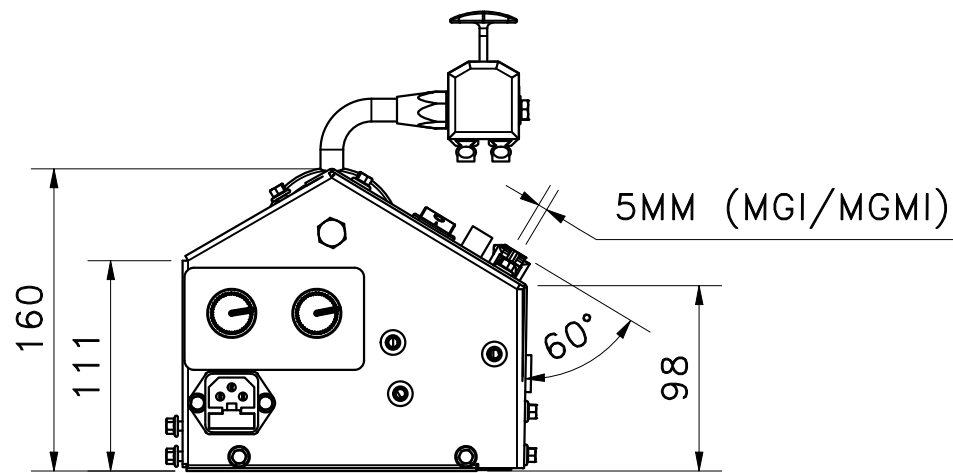
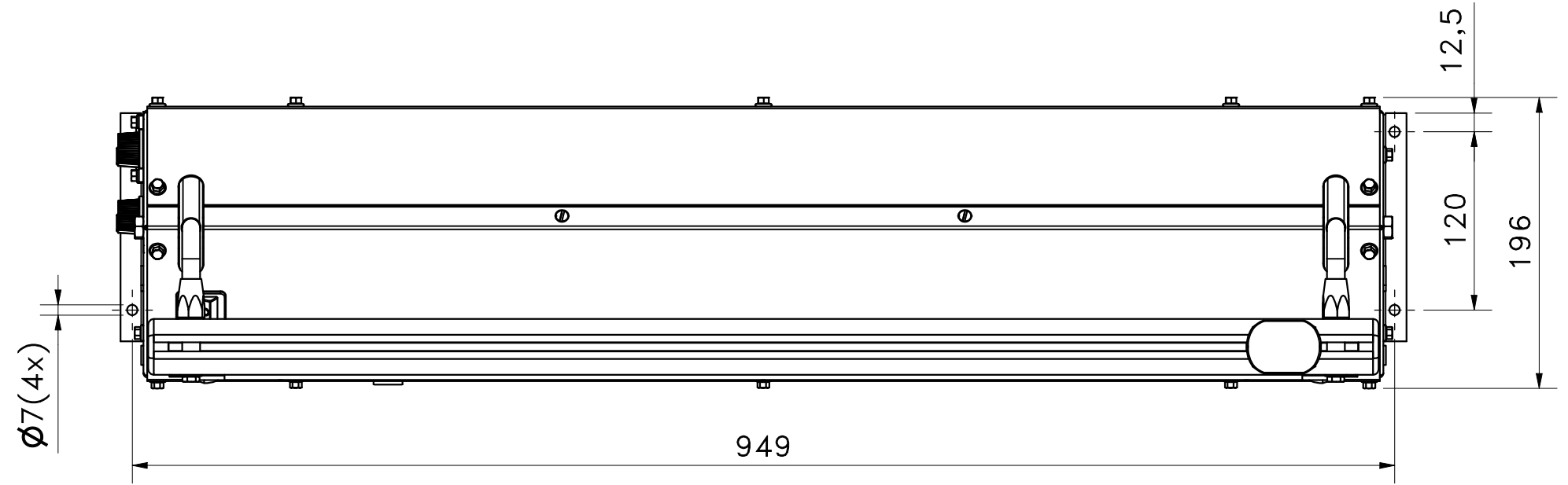
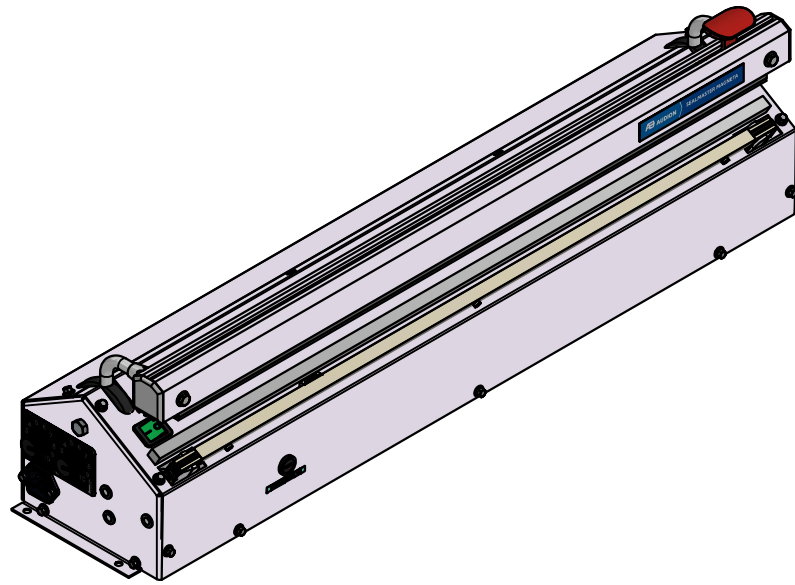
opm:	datum: 28-1-2016		schaal: 1 : 3	aantal: 1	gewicht: N/A	revisie:	getekend:	datum:
	formaat: A3	controle:	tolerantie: ISO 2768/1101			▲		
projectie:	getekend: CS		materiaal:			▲		
	naam: AUDION ELEKTRO WEESP, HOLLAND		MEASUREMENTS 621 MG...			code:		Maatschets

This publication, or parts thereof, may not be reproduced in any form, by any method, for any purpose.



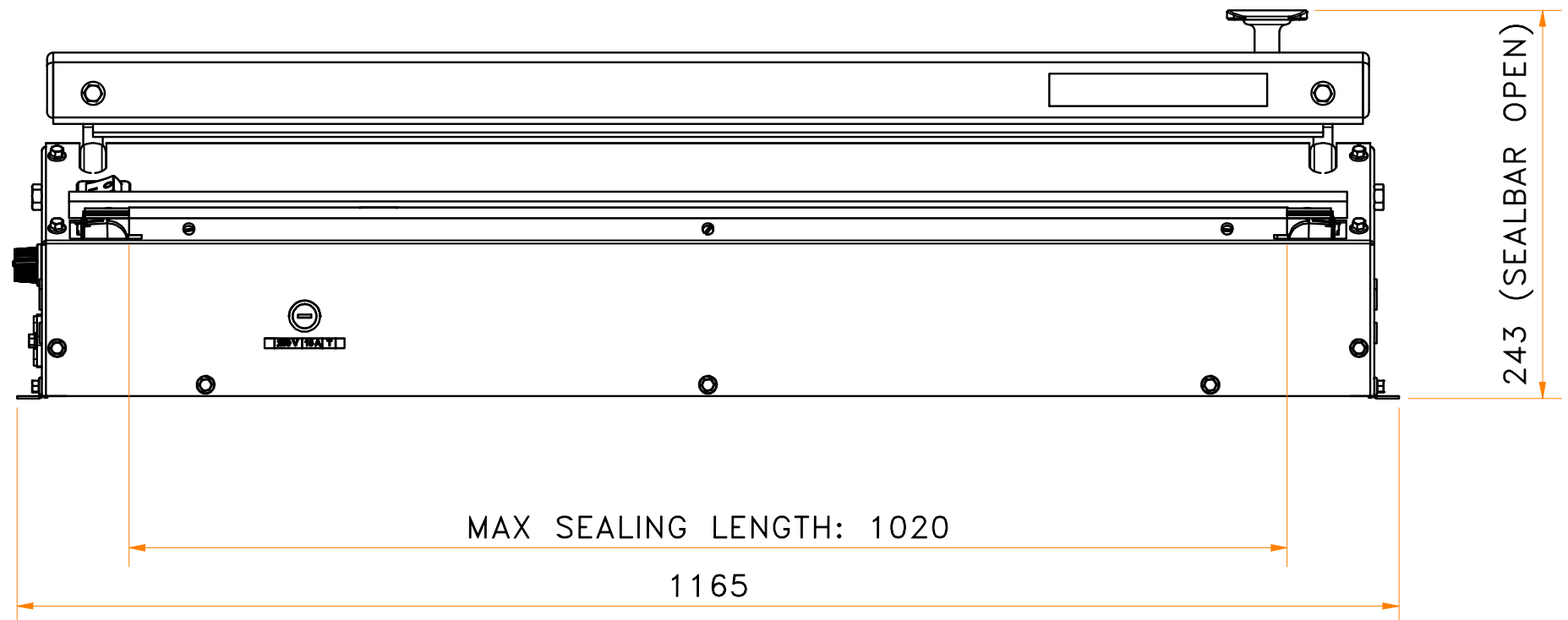
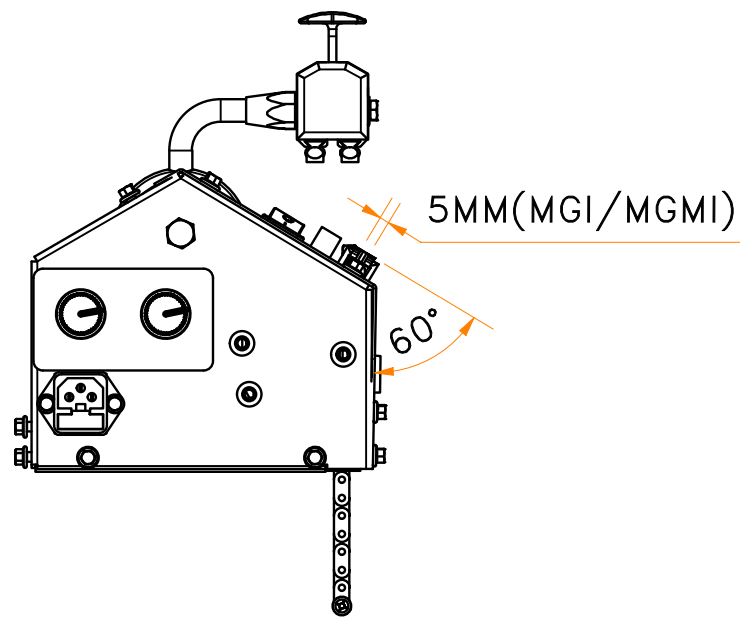
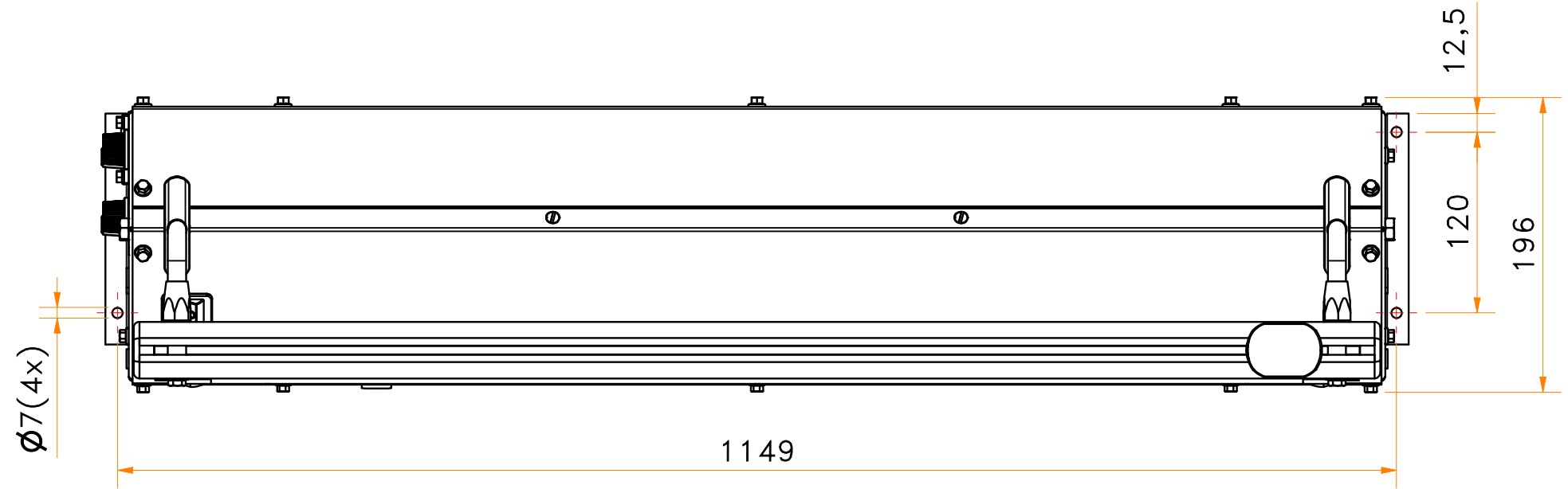
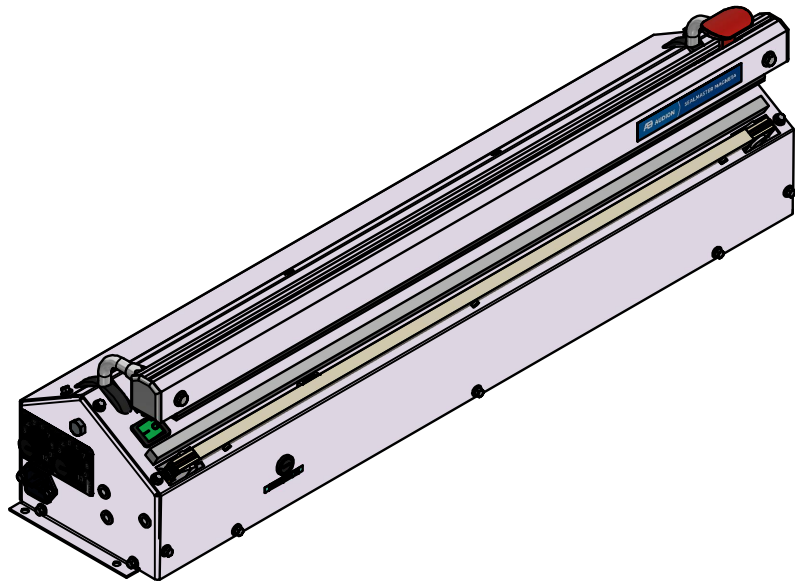
opm:	datum: 20-1-2016	schaal: 1 : 4	aantal: 1	gewicht: N/A	revisie:	getekend:	datum:
projectie:	formaat: A3	controle:	tolerantie: ISO 2768/1101		△		
	getekend: CS		materiaal:		△		
AUDION ELEKTRO WEESP, HOLLAND	naam: MEASUREMENTS 721 MG(M)I				code: 721 MGI maatschets2		

This publication, or parts thereof, may not be reproduced in any form, by any method, for any purpose.



opm:	datum: 20-1-2016	schaal: 1 : 4	aantal: 1	gewicht: N/A	revisie:	getekend:	datum:
projectie:	formaat: A3	controle:	tolerantie: ISO 2768/1101		△		
	getekend: CS		materiaal:		△		
AUDION ELEKTRO WEESP, HOLLAND	naam: MEASUREMENTS 821 MGI/MGMI				code: 821 MGI maatschets		

This publication, or parts thereof, may not be reproduced in any form, by any method, for any purpose.



opm:	datum: 20-1-2016	schaal: 1 : 4	aantal: 1	gewicht: N/A	revisie:	getekend:	datum:
projectie:	formaat: A3	controle:	tolerantie: ISO 2768/1101		△		
	getekend: CS		materiaal:		△		
AUDION ELEKTRO WEESP, HOLLAND	naam: MEASUREMENTS 1021 MG(M)				code: 1021 MGI maatschets		

This publication, or parts thereof, may not be reproduced in any form, by any method, for any purpose.