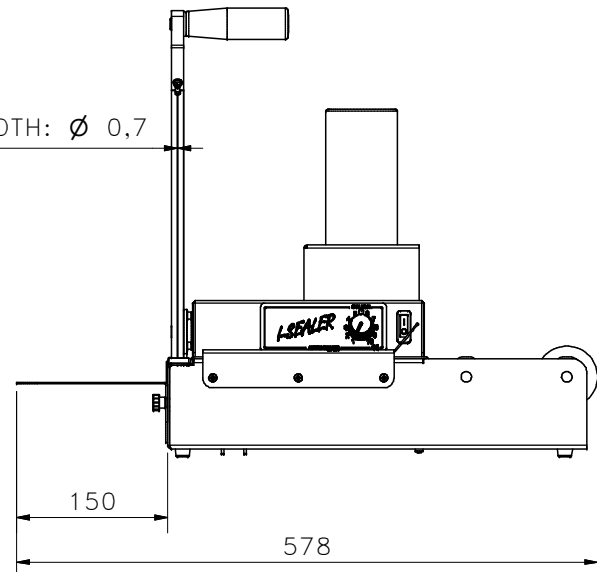


SEALING WIDTH: \varnothing 0,7



remarks:	date: 14-4-2022	scale: 1 : 5	weight: N/A	revision: drawn by: date:
page: 1#1	sheet: A3	check: ISO 2768/1101		
projection:	drawn by: C.Stoffers	material:		
drawing name: AUDION MEASUREMENTS 161 B			drawing number: 161 B	

This publication, or parts thereof, may not be reproduced in any form, by any method, for any purpose.